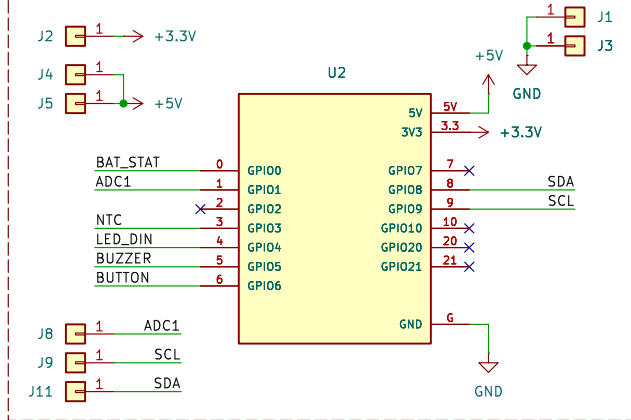


ESP32-C3 SUPERMINI

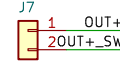


TP4056 MODULE

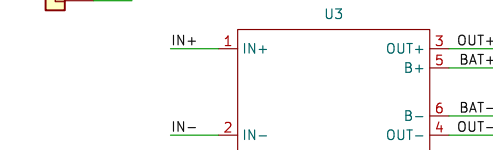
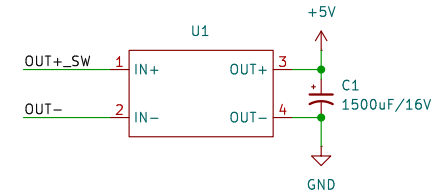
EXTERNAL CONNECTOR



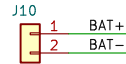
EXTERNAL SWITCH



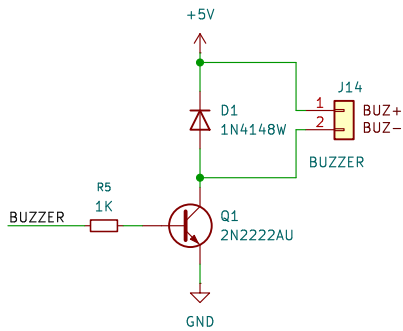
STEP UP MODULE



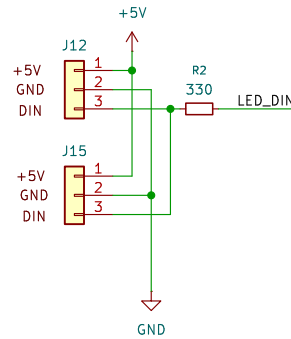
BATTERY CONNECTOR



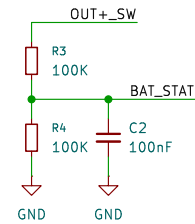
BUZZER



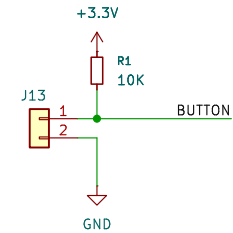
LED RING



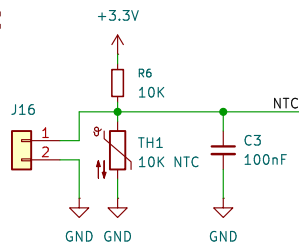
BATTERY STAT



BUTTON



NTC



Sheet: /
 File: Puck Racer.kicad_sch

Title: Puck Racer

Size: A4 | Date: 2026-03-26
 KiCad E.D.A. 9.0.7

Rev:
 Id: 1/1